



2018

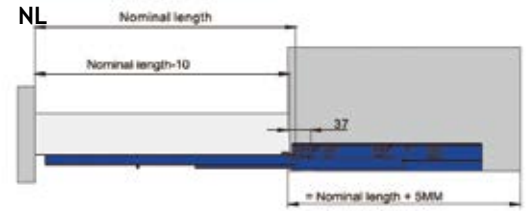
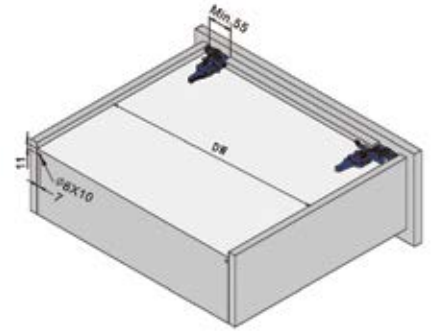
Prowadnice

Drawer slides



GRASSHOPPER[®]
SOLUTIONS

Unihopper[•]

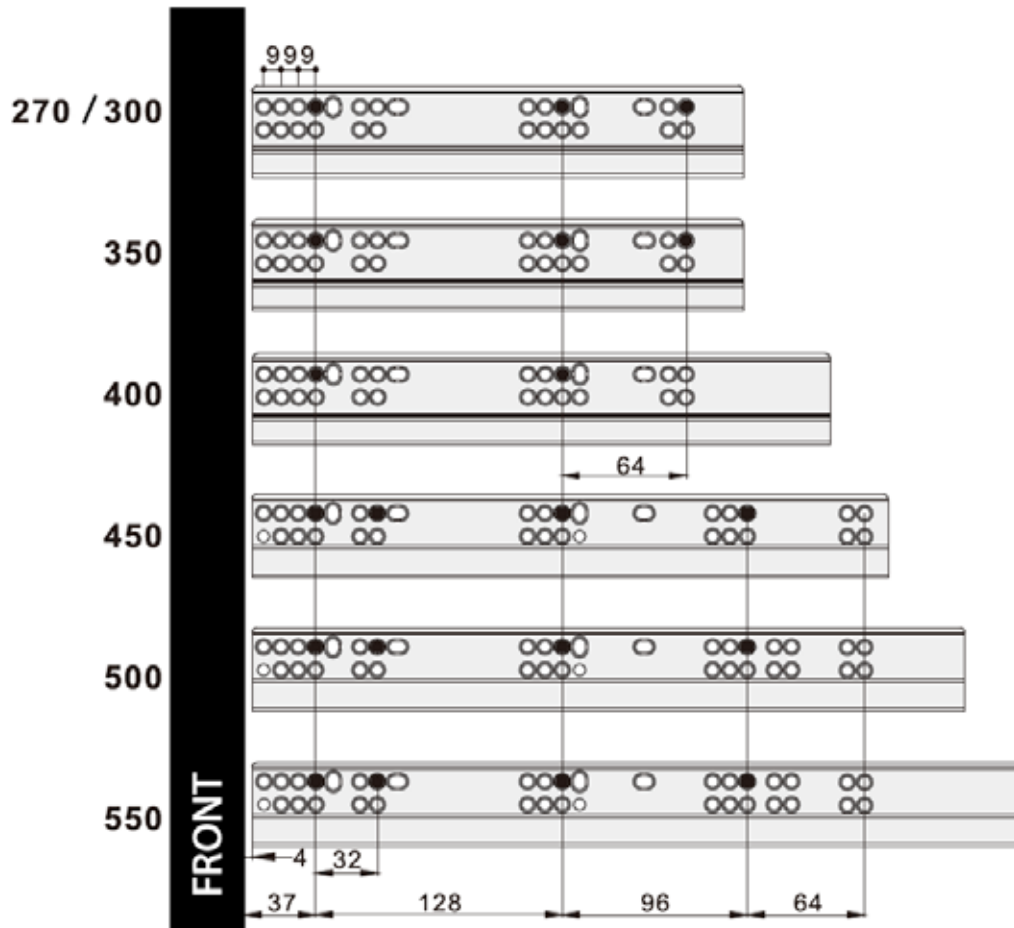
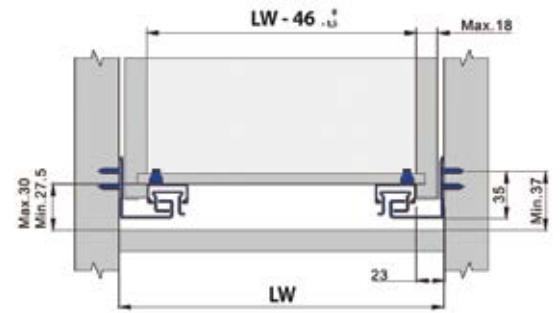


INDEX

NL

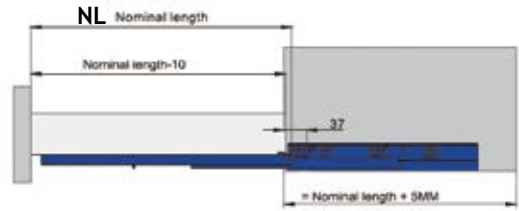
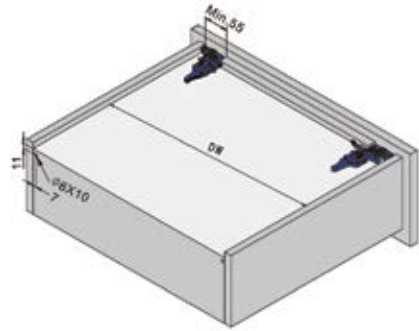


CL12E2.270	NL270	10
CL12E2.300	NL300	10
CL12E2.350	NL350	10
CL12E2.400	NL400	10
CL12E2.450	NL450	10
CL12E2.500	NL500	10
CL12E2.550	NL550	10

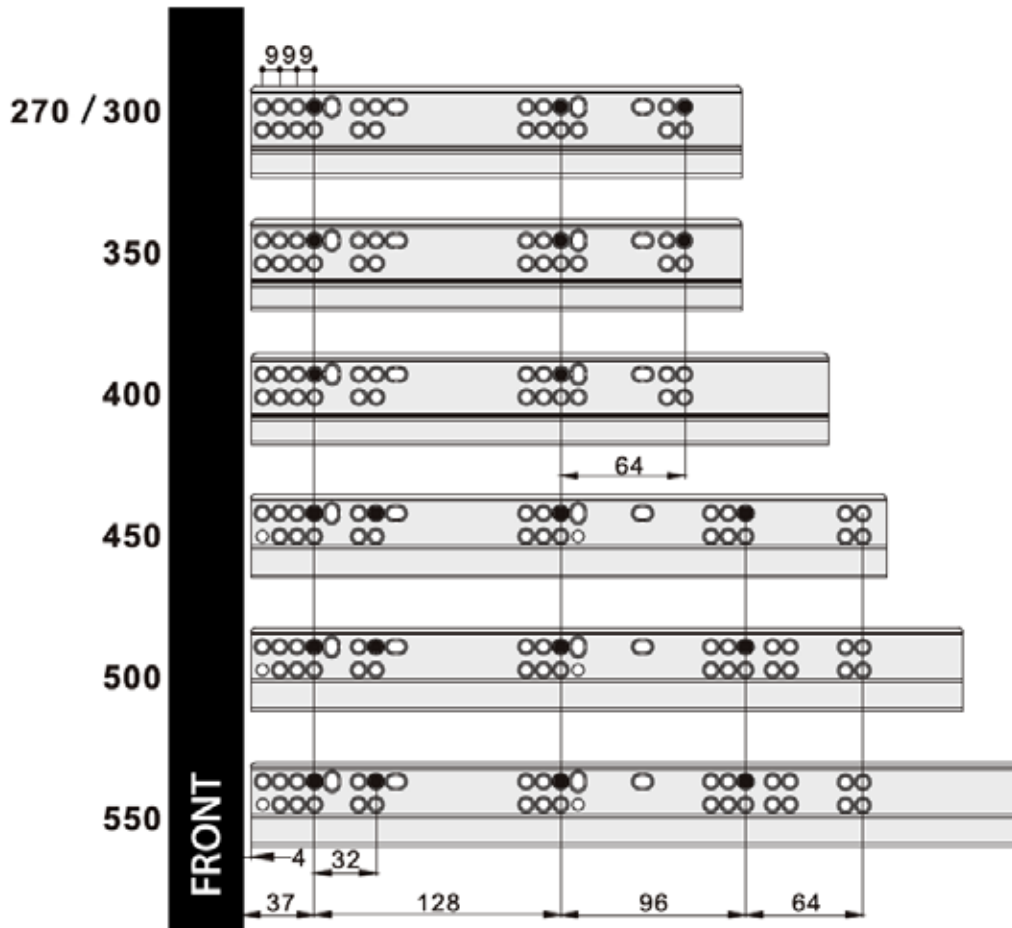
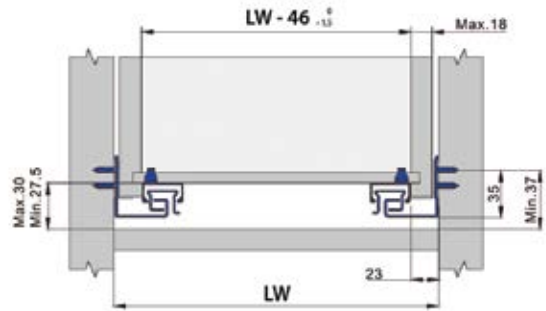


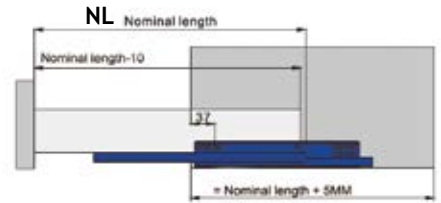
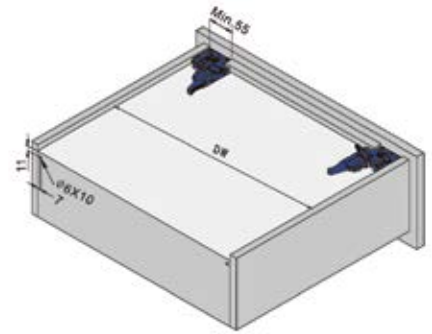
PROWADNICA COMFORT 3D, ZE SPRZĘGŁEM, PEŁNY WYSUW, PUSH TO OPEN

COMFORT-PRO 3D, PUSH TO OPEN, FULL EXTENSION, CONCEALED SLIDE WITH CLIP

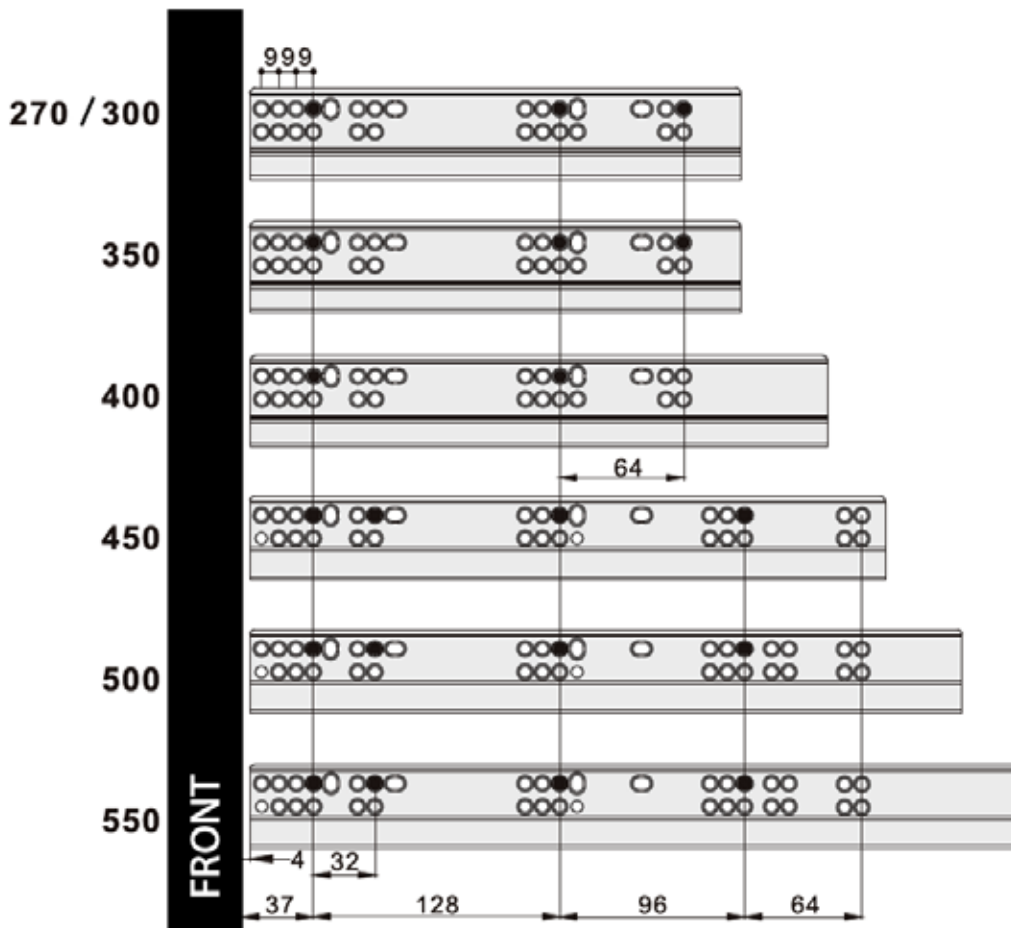
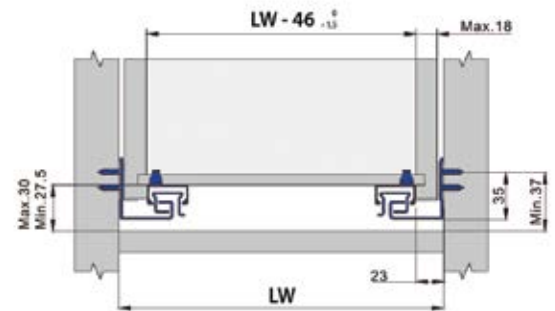


INDEX	NL	
CL14E2.270	NL270	10
CL14E2.300	NL300	10
CL14E2.350	NL350	10
CL14E2.400	NL400	10
CL14E2.450	NL450	10
CL14E2.500	NL500	10
CL14E2.550	NL550	10

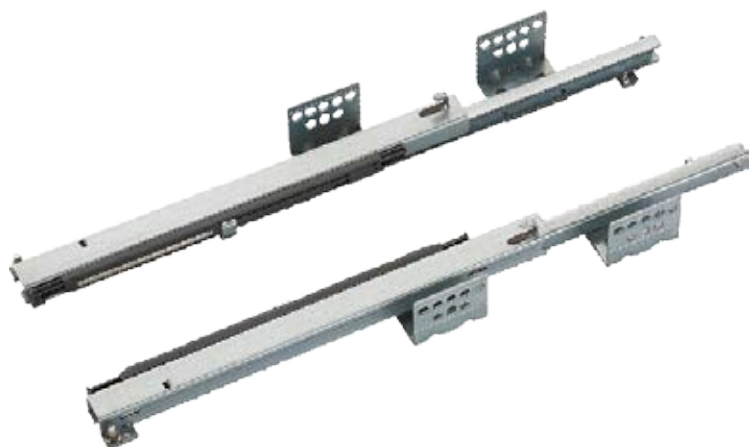





INDEX	SOFT CLOSE	INDEX	PUSH TO OPEN
CL22D2.270	NL 270	CL22D2.270	NL 270
CL22D2.300	NL 300	CL24D2.300	NL 300
CL22D2.350	NL 350	CL24D2.350	NL 350
CL22D2.400	NL 400	CL24D2.400	NL 400
CL22D2.450	NL 450	CL24D2.450	NL 450
CL22D2.500	NL 500	CL24D2.500	NL 500
CL22D2.550	NL 550	CL24D2.550	NL 550

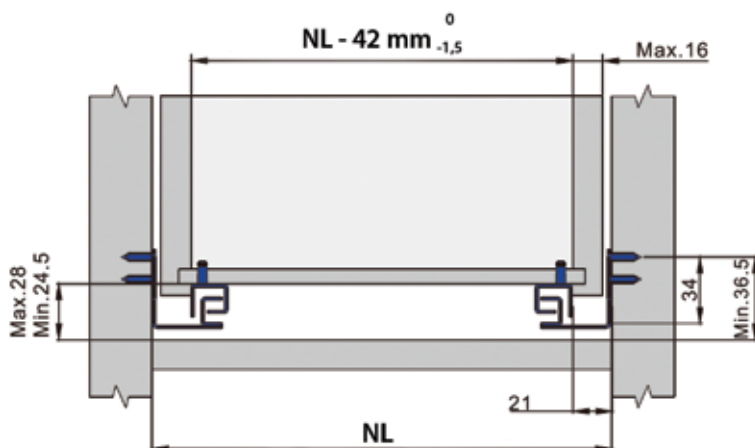
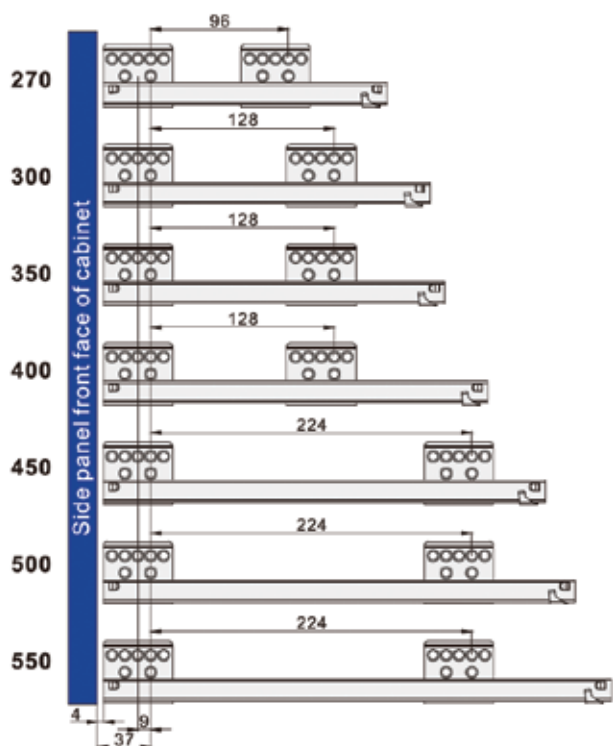
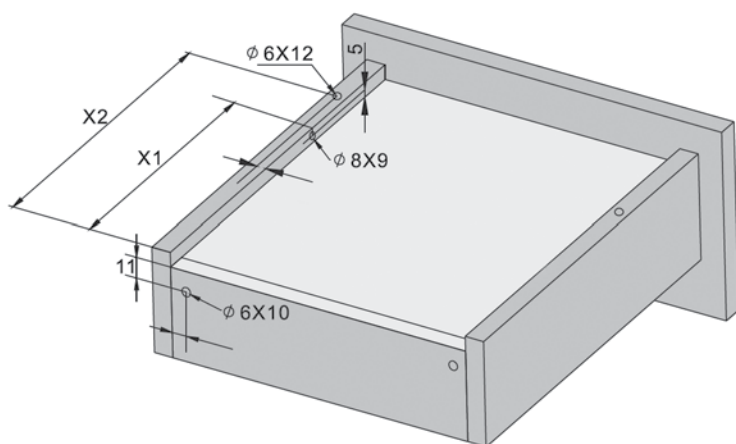


PROWADNICA COMFORT ECONOMIC 3/4 WYSUW, SOFT CLOSE
 COMFORT ECONOMIC SINGLE EXTENSION CONCEALED SLIDE, SOFT CLOSE



INDEX

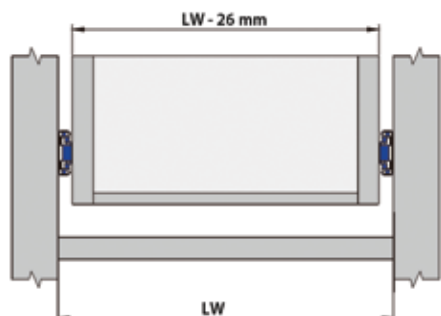
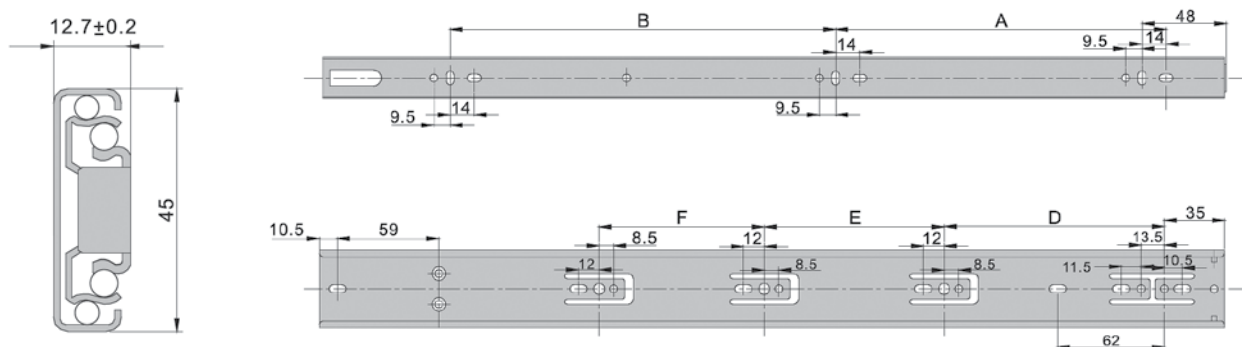
		X1	X2	
CLE21A.270	L270	185	205	10
CLE21A.300	L300	210	230	10
CLE21A.350	L350	255	275	10
CLE21A.400	L400	280	300	10
CLE21A.450	L450	315	335	10
CLE21A.500	L500	340	360	10
CLE21A.550	L550	385	405	10





INDEX	SOFT CLOSE	
DS2101.250	L250	15
DS2101.300	L300	15
DS2101.350	L350	15
DS2101.400	L400	15
DS2101.450	L450	15
DS2101.500	L500	15
DS2101.550	L550	15
DS2101.700	L700	15

INDEX	PUSH TO OPEN	
DS2201.250	L250	15
DS2201.300	L300	15
DS2201.350	L350	15
DS2201.400	L400	15
DS2201.450	L450	15
DS2201.500	L500	15
DS2201.550	L550	15



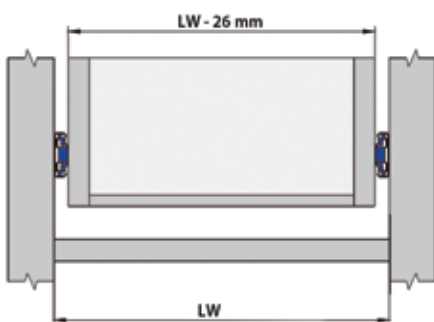
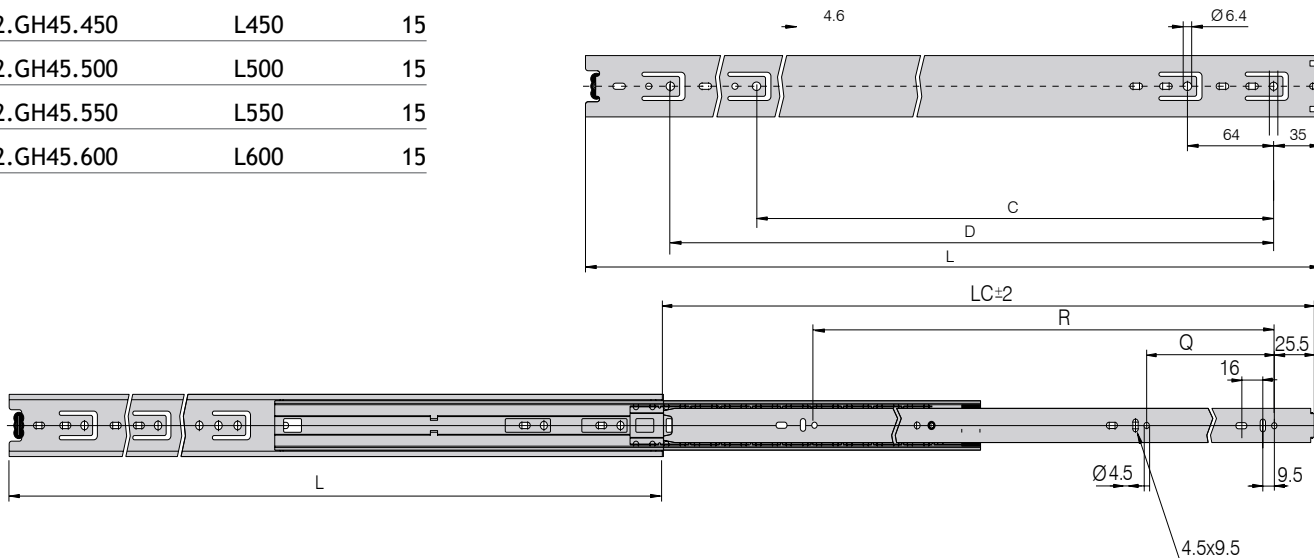
NL	A	B	D	E	F
L250	129				
L300	96	82,5	87		
L350	128	96	64	64	
L400	128	144	128	64	
L450	160	160	128	104,5	
L500	160	192	128	104,5	64
L550	192	224	128	104,5	96
L600	224	224	128	104,5	96

PROWADNICA KULKOWA BF H45 PEŁNY WYSUW
 BF BALL BEARING CONCEALED SLIDE H45 FULL EXTENSION



INDEX

Model	Length (mm)	Quantity
02.GH45.250	L250	15
02.GH45.300	L300	15
02.GH45.350	L350	15
02.GH45.400	L400	15
02.GH45.450	L450	15
02.GH45.500	L500	15
02.GH45.550	L550	15
02.GH45.600	L600	15



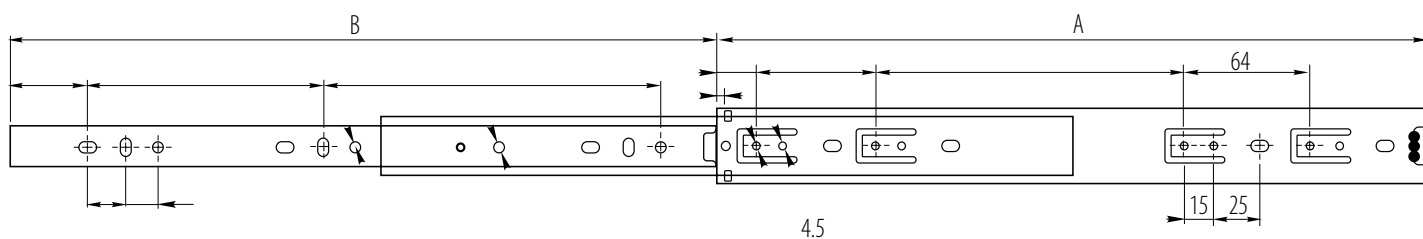
NL	B	C	D	E	F	G	H	I	J	K
250	160		160					30		
300	96	128	192				34	41,5		
350	96	160	224				66	59,5		
400	128	192	224	64			66		30,5	
450	160	192	224	128			66	64	15	
500	192	224	224	128		51	66	64	15	
550	192	256	224	128	96		66	64	15	
600	224	288	224	128	96		66	64	15	55,5
650	224	320	224	128	192	66	66	64	15	
700	288	288	224	128	192	66	66	64	15	55,5
750	288	352	224	128	288	162	66	64	15	
800	352	320	224	160	320	162	66	64	15	



INDEX



02.GH35.250	L250	15
02.GH35.300	L300	15
02.GH35.350	L350	15
02.GH35.400	L400	15
02.GH35.450	L450	15
02.GH35.500	L500	15



NL	B	C	D	E	F
250	247	C+D=190		75	28
300	297	113	113	124	35
350	347	138	138	110	35
400	397	163	163	160	35
450	447	188	188	210	35
500	497	213	213	260	35

