

GAS HINGE



Unihopper

GAS HINGE



Clip-on adjustable soft-closing hinge

- Opening Angle:105°
- Cup diameter:35mm
- Depth:11.5mm
- Hole distance:45、48、52mm
- Door thickness:14~22mm
- Two-way
- 105° Excentric clip-on hinge



Wooden screw(M4X16)	100Pcs	HG1112.C0.(*)1
Euro screw(M6.3X14)	100Pcs	HG1112.C0.(*)2
Dowel(M10X10)	100Pcs	HG1112.C0.(*)3

Wooden screw(M4X16)	100Pcs	HG1112.C8.(*)1
Euro screw(M6.3X14)	100Pcs	HG1112.C8.(*)2
Dowel(M10X10)	100Pcs	HG1112.C8.(*)3

Wooden screw(M4X16)	100Pcs	HG1112.C15.(*)1
Euro screw(M6.3X14)	100Pcs	HG1112.C15.(*)2
Dowel(M10X10)	100Pcs	HG1112.C15.(*)3

(*)Optional hole distance:45/48/52mm

D	K	3	4	5	6	7	H=14+k-D
H	0	17	18	19	20	21	
	2	15	16	17	18	19	

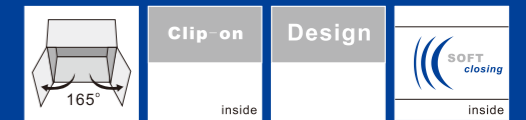
Screw mounting

D	K	3	4	5	6	7	H=4+k-D
H	0	7	8	9	10	11	

Dowel mounting

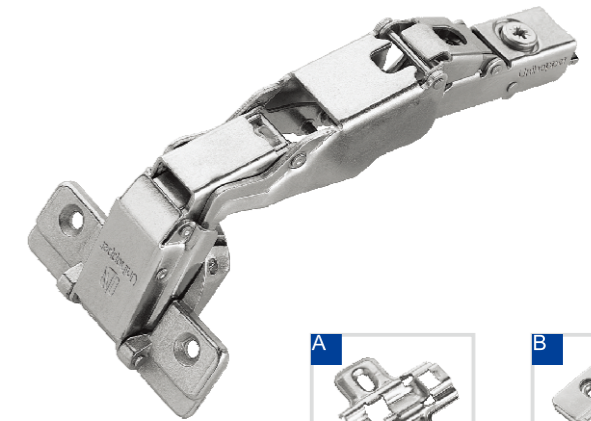
A	K	3	4	5	6	7	H=-4+k+A
H	0	1	0	-1	-2	-3	

165° GAS HINGE



165° Gas hinge

- Opening Angle:165°
- Cup diameter:35mm
- Depth:11.5mm
- Hole distance:45、48、52mm
- Door thickness:14~26mm
- 165° Excentric clip-on hinge



Wooden screw(M4X16)	100Pcs	HG1412.C0.(*)1
Euro screw(M6.3X14)	100Pcs	HG1412.C0.(*)2
Dowel(M10X10)	100Pcs	HG1412.C0.(*)3

Wooden screw(M4X16)	100Pcs	HG1412.C8.(*)1
Euro screw(M6.3X14)	100Pcs	HG1412.C8.(*)2
Dowel(M10X10)	100Pcs	HG1412.C8.(*)3

Wooden screw(M4X16)	100Pcs	HG1412.C15.(*)1
Euro screw(M6.3X14)	100Pcs	HG1412.C15.(*)2
Dowel(M10X10)	100Pcs	HG1412.C15.(*)3

(*)Optional hole distance:45/48/52mm

D	K	3	4	5	6	7	H=14+k-D
H	0	7	8	9	10	11	
	2	5	6	7	8	9	

Screw mounting

D	K	3	4	5	6	7	H=4+k-D
H	0	7	8	9	10	11	

Dowel mounting

A	K	3	4	5	6	7	H=k+A
H	2	-1	-2	-3	-4	-5	

30° 45° 90° GAS HINGE



30° Gas hinge

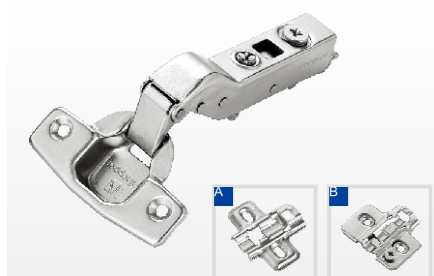
- Closing Angle:30°
- Cup diameter:35mm
- Depth:11.5mm
- Hole distance:45、48、52mm
- Door thickness:14~22mm
- 30° Excentric clip-on hinge

45° Gas hinge

- Closing Angle:45°
- Cup diameter:35mm
- Depth:11.5mm
- Hole distance:45、48、52mm
- Door thickness:14~22mm
- 45° Excentric clip-on hinge

90° Gas hinge

- Closing Angle:90°
- Cup diameter:35mm
- Depth:11.5mm
- Hole distance:45、48、52mm
- Door thickness:14~22mm
- 90° Excentric clip-on hinge



Wooden screw(M4X16)	100Pcs	HG1411.(*)1
Euro screw(M6.3X14)	100Pcs	HG1411.(*)2
Dowel(M10X10)	100Pcs	HG1411.(*)3

Wooden screw(M4X16)	100Pcs	HG1406.(*)1
Euro screw(M6.3X14)	100Pcs	HG1406.(*)2
Dowel(M10X10)	100Pcs	HG1406.(*)3

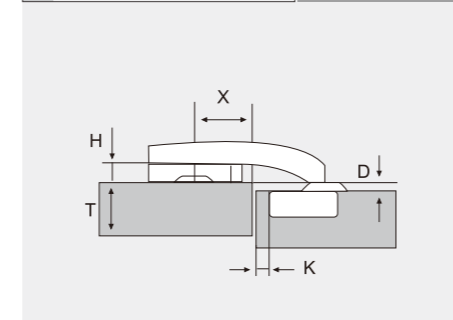
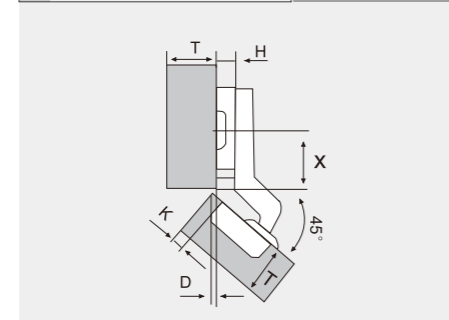
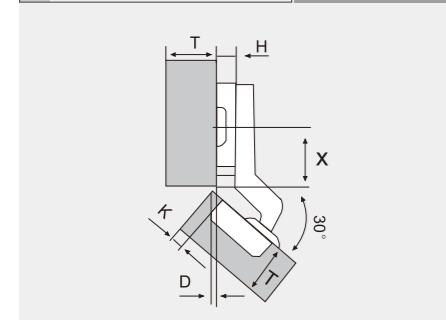
Wooden screw(M4X16)	100Pcs	HG1407.(*)1
Euro screw(M6.3X14)	100Pcs	HG1407.(*)2
Dowel(M10X10)	100Pcs	HG1407.(*)3

(*)Optional hole distance:45/48/52mm

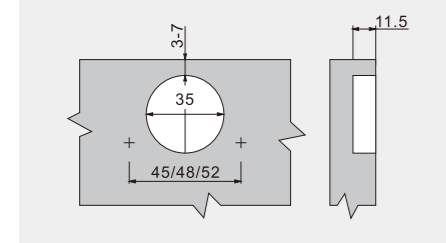
X	D	K	4	5	6	7
2	37	36	35	34		
	1	2	3	4		

X	D	K	4	5	6	7
2	37	36	35	34		
	1	2	3	4		

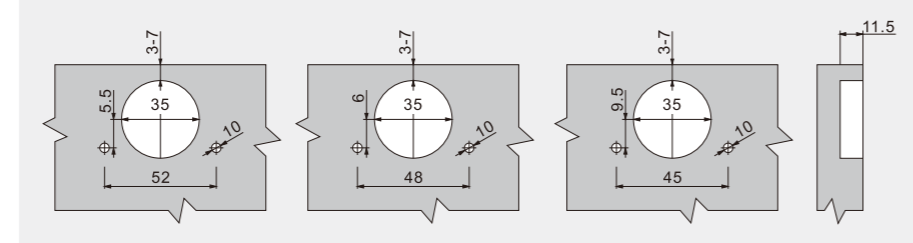
X	D	K	4	5	6	7
2	20	19				
	1	2				



Screw mounting



Dowel mounting



FACE FRAME GAS HINGE



Face frame gas hinge

- Opening Angle:105°
- Cup diameter:35mm
- Depth:11mm
- Hole distance:42、45mm
- Door thickness:14~26mm
- Face frame gas hinge



Wooden screw	300Pcs	HG1601.11
--------------	--------	-----------

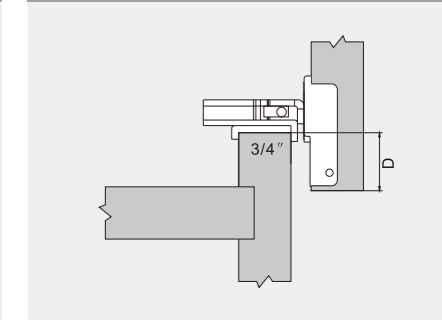
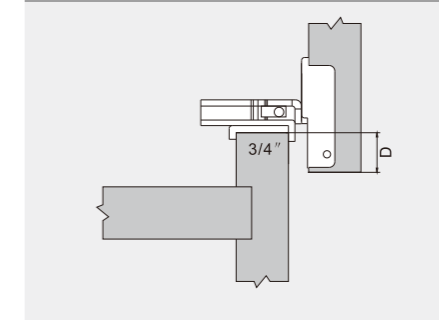
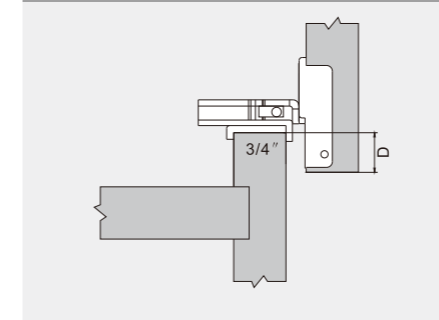
Wooden screw	300Pcs	HG1601.13
--------------	--------	-----------

Wooden screw	300Pcs	HG1601.19
--------------	--------	-----------

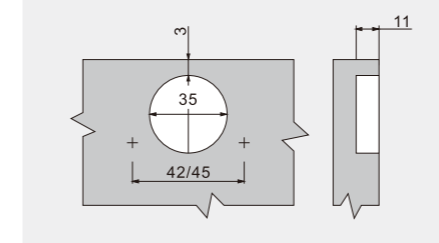
D=11

D=13

D=19



Screw mounting

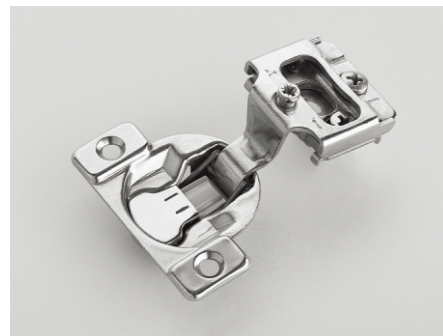


FACE FRAME GAS HINGE



Face frame gas hinge

- Opening Angle:105°
- Cup diameter:35mm
- Depth:11mm
- Hole distance:42、45mm
- Door thickness:14~26mm
- Face frame gas hinge



Wooden screw	300Pcs	HG1601.25
--------------	--------	-----------

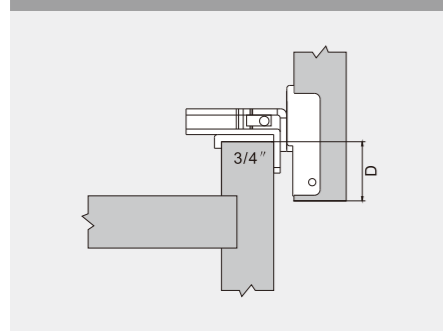


Wooden screw	300Pcs	HG1601.32
--------------	--------	-----------

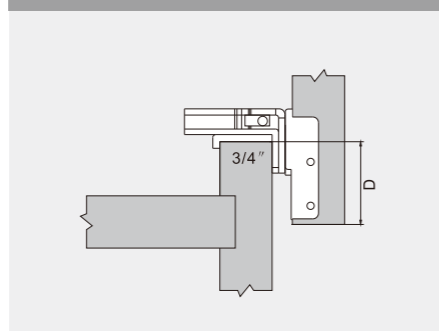


Wooden screw	300Pcs	HG1601.33
--------------	--------	-----------

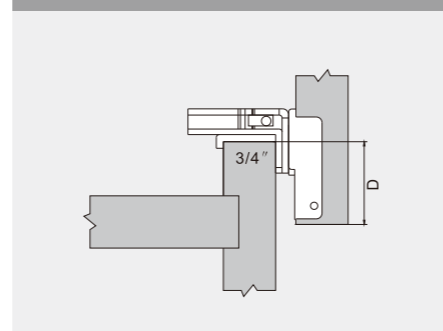
D=25



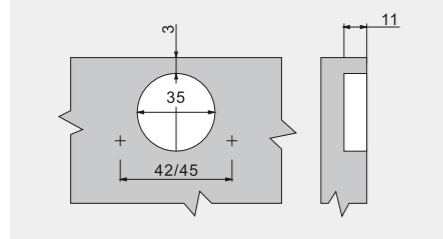
D=32



D=33



Screw mounting



FACE FRAME GAS HINGE



Face frame gas hinge

- Opening Angle:105°
- Cup diameter:35mm
- Depth:11mm
- Hole distance:42、45mm
- Door thickness:14~26mm
- Face frame gas hinge

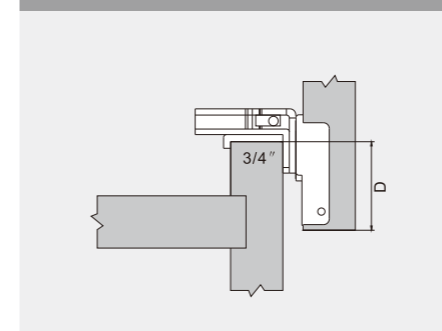


Wooden screw	300Pcs	HG1601.35
--------------	--------	-----------

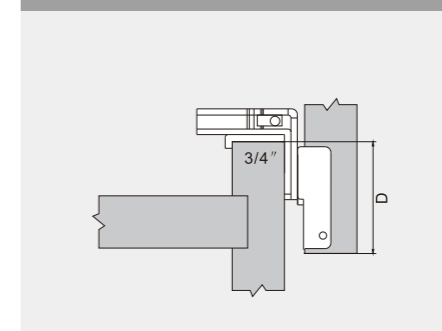


Wooden screw	300Pcs	HG1601.38
--------------	--------	-----------

D=35



D=38



Screw mounting

