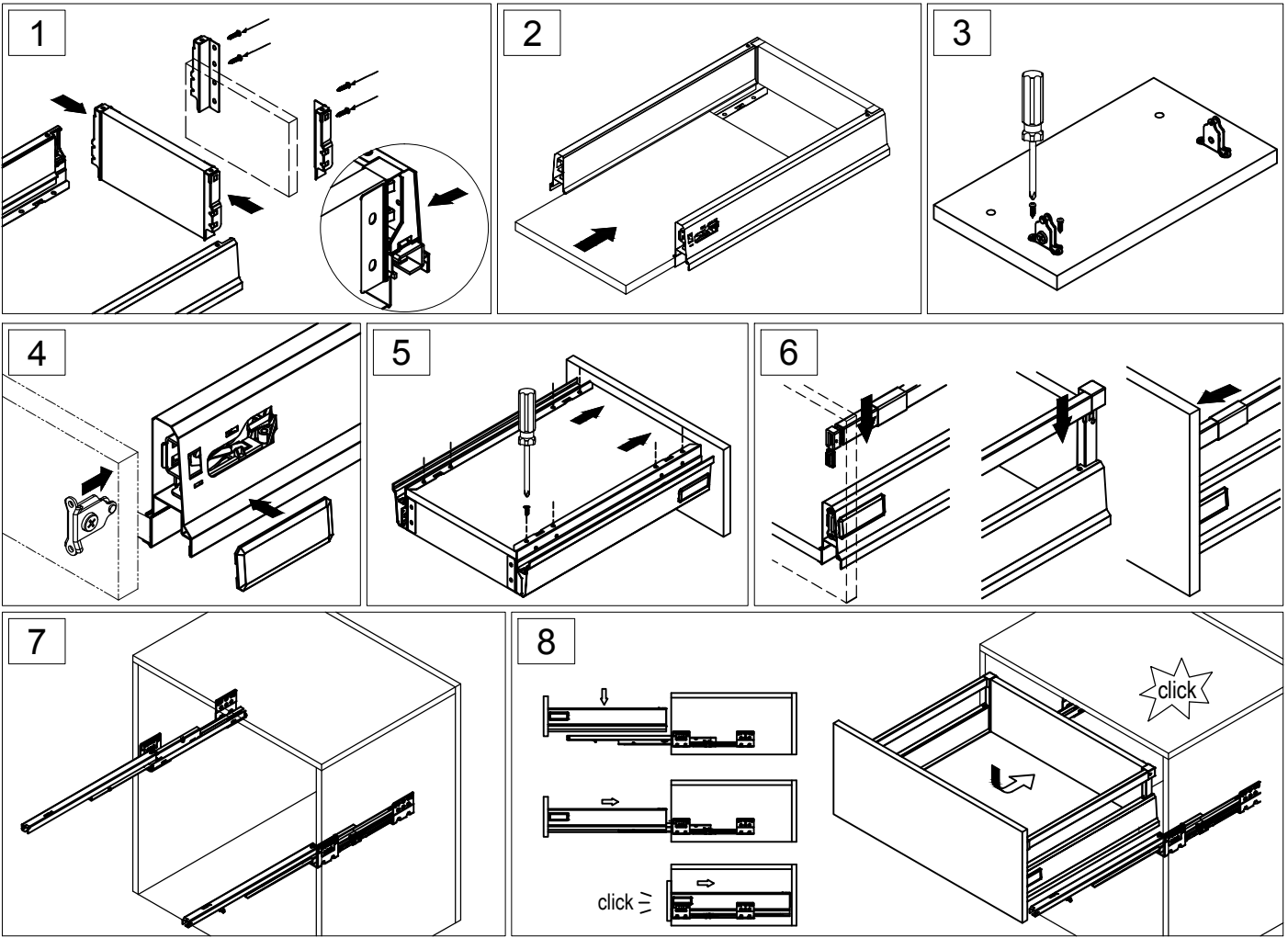
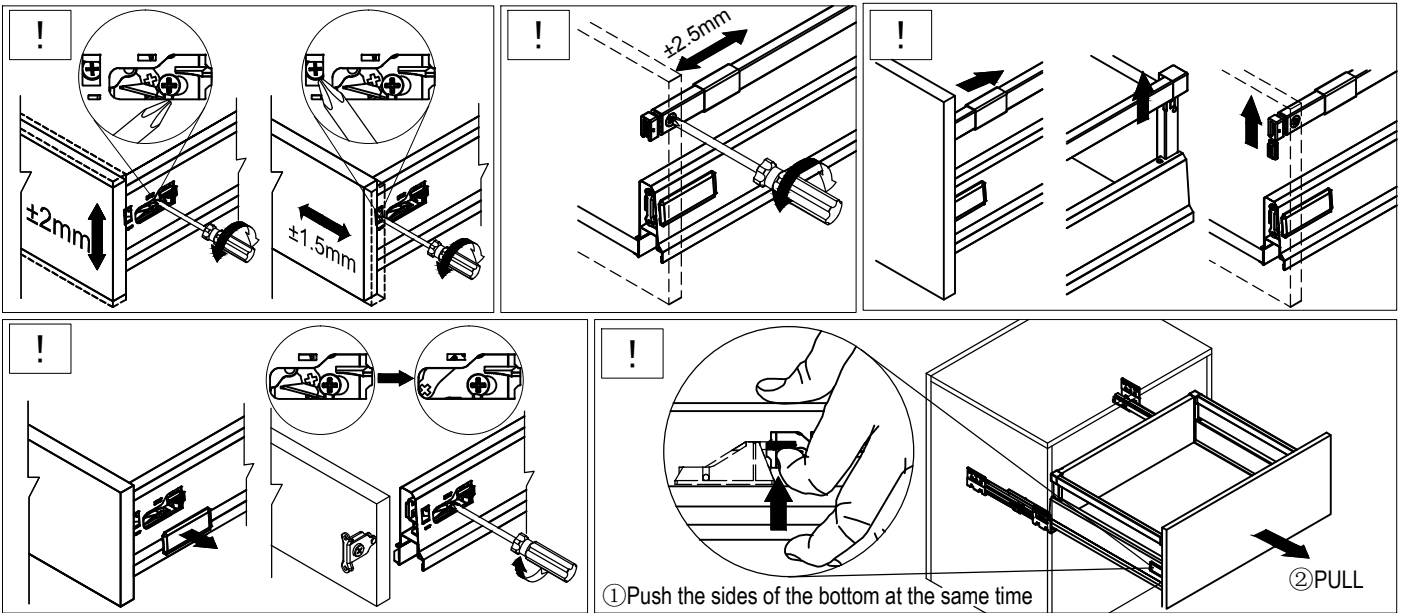


## Drawer Installation Instruction:



## Drawer Adjustment & Disassembly:



## Notes:

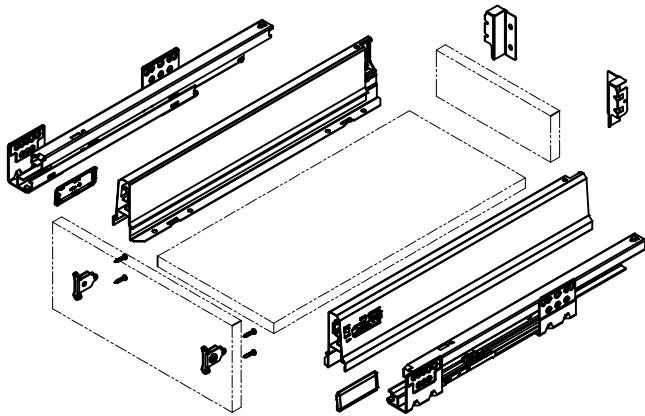
1. Runner doesn't steadily or pulse? Please ensure against wood chips or other scrap fall into runner interior during installation.
2. Runner doesn't work smoothly? Please check bottom and back panel measurement is up to the standard or not. bottom pannel and cabinet is regularity or not; and runners are vertical and horizontal or not.
3. Drawer shakes? Please check drawer and runner is fitting-in or not; and runners are vertical and horizontal or not. Use the oval screw hole to adjust if necessary.
4. Front panel can't closed perfectly? or soft closing distance is too short? Please check drawer and runner is fitting-in or not. Check the distance from runner to Side edge of cabinet is correct or not.
5. Damage caused by the transport? Please do not make the drawer and cabinet upside down during the transport.

# Installation Instruction of Drawer Box(New)

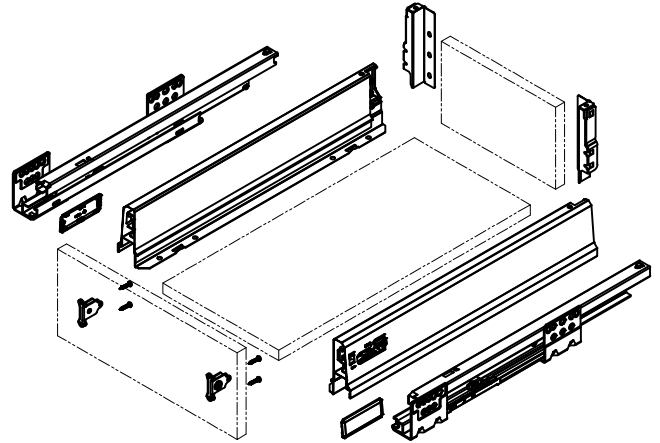
Load Capacity: 35 KG

Thickness of Bottom Board: 16MM

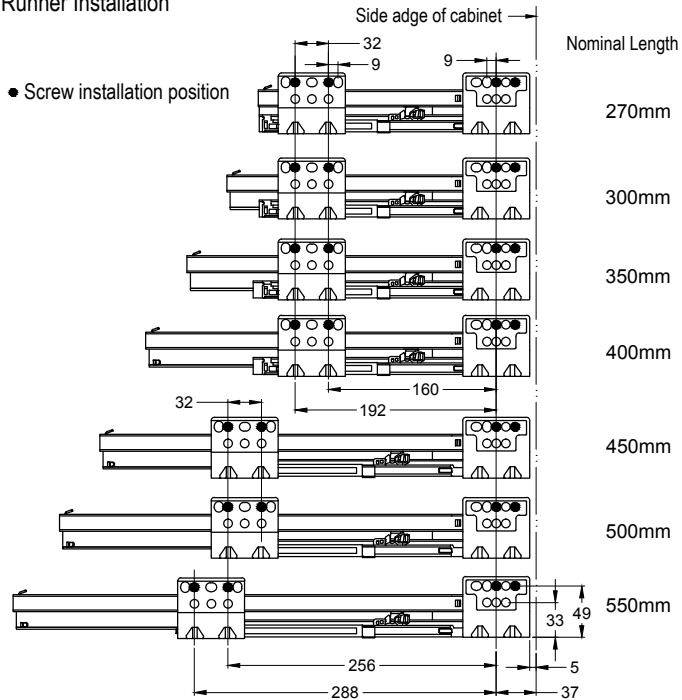
## H80 Drawer Box Components



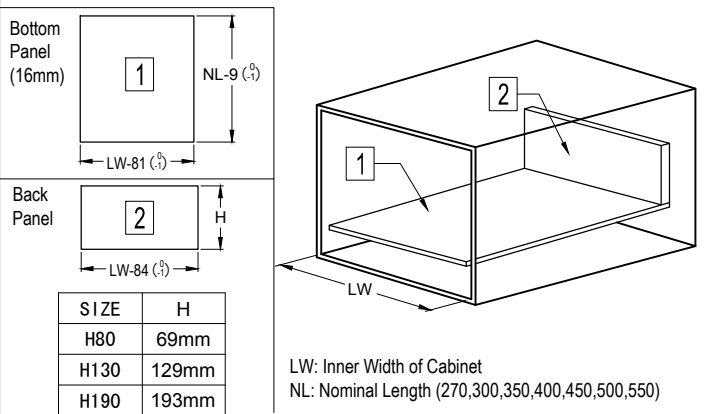
## H130/H190 Drawer Box Components



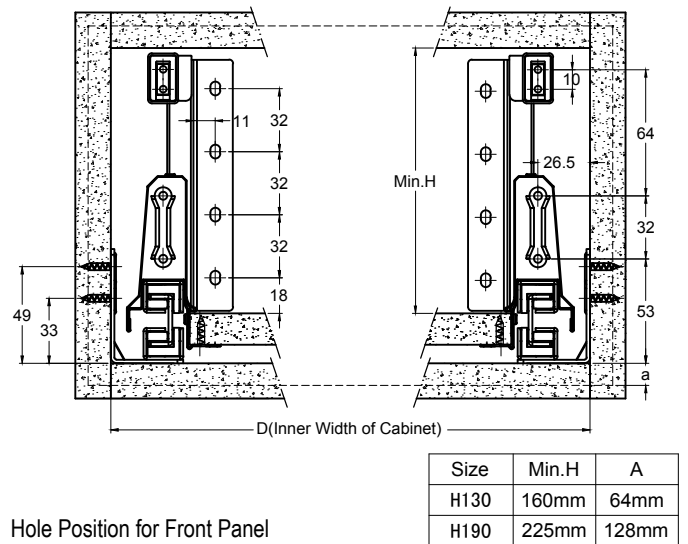
## Runner Installation



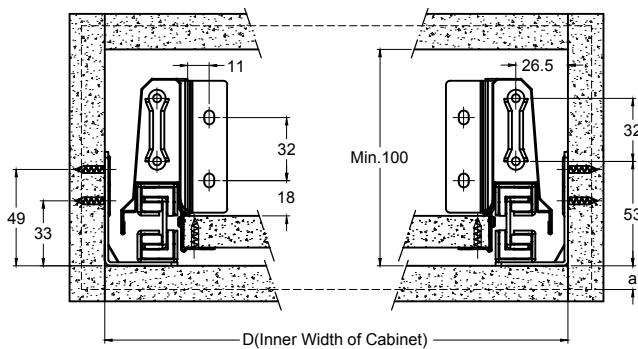
## Blanking Size Of Bottom & Back Panel



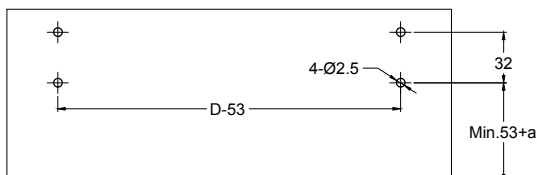
## Drawer Box Installation (H130/H190)



## Drawer Box Installation (H80)



## Hole Position for Front Panel



## Hole Position for Front Panel

