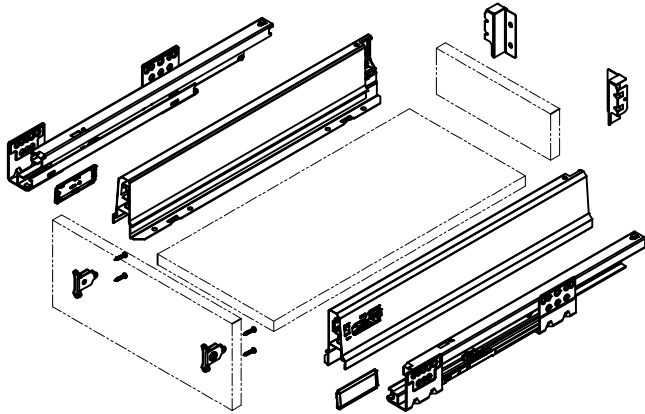


Installation Instruction of Drawer Box (New)

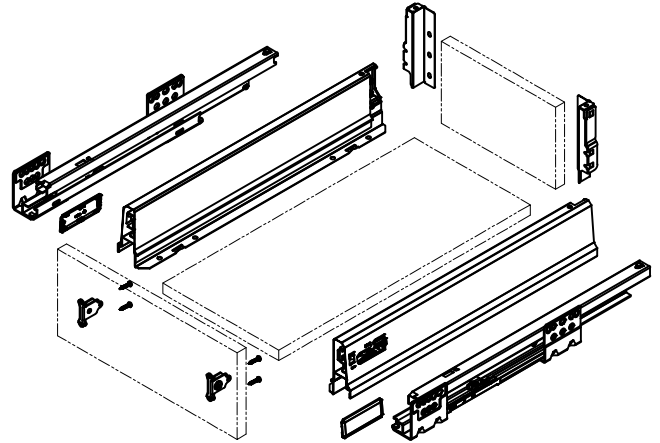
Load Capacity: 35 KG

Thickness of Bottom Board: 16MM

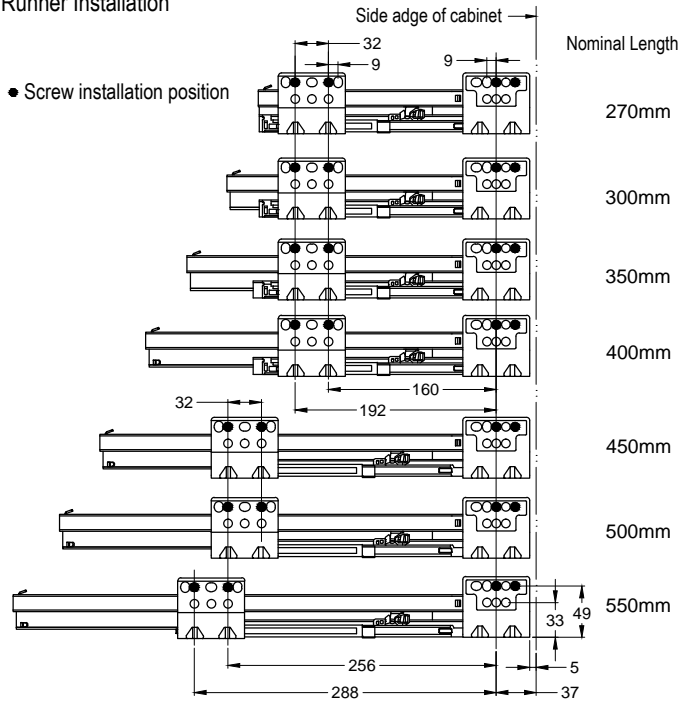
H80 Drawer Box Components



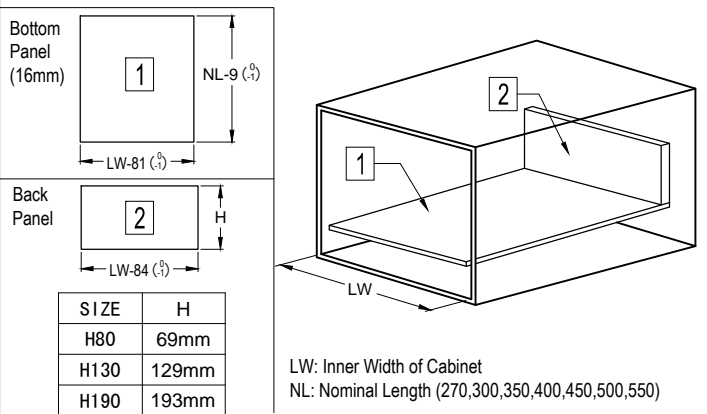
H130/H190 Drawer Box Components



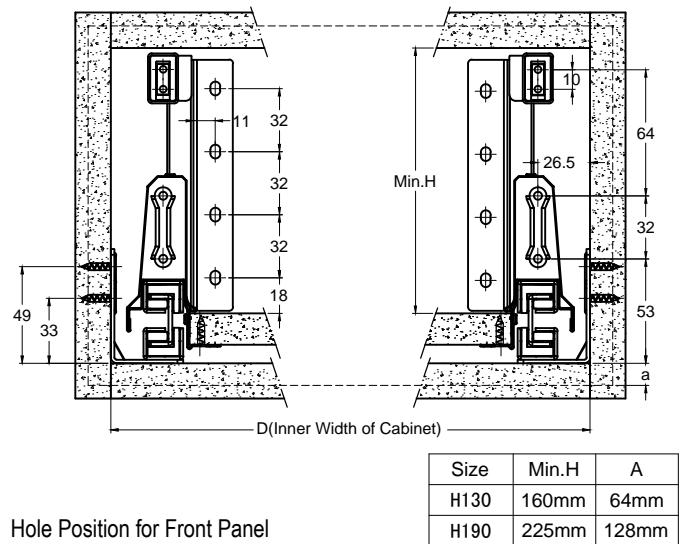
Runner Installation



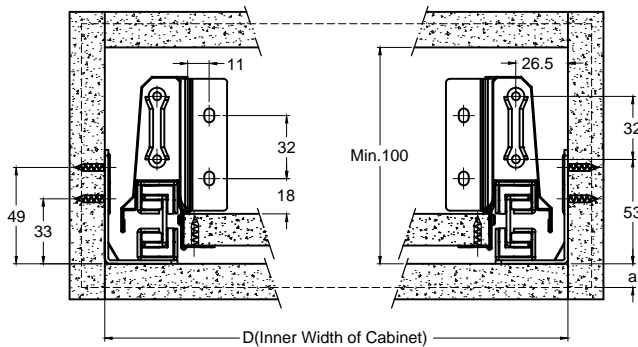
Blanking Size Of Bottom & Back Panel



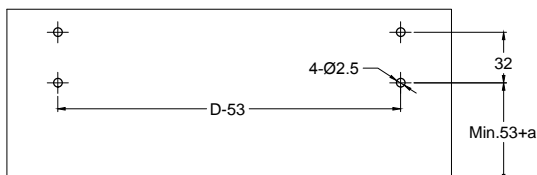
Drawer Box Installation (H130/H190)



Drawer Box Installation (H80)



Hole Position for Front Panel



Hole Position for Front Panel

