

Installation instruction of 150 side basket



M5x15 6pcs



M5x20 8pcs



ST4x16 6pcs



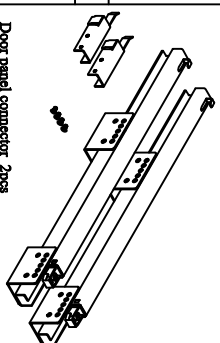
Main body of the basket 2pcs



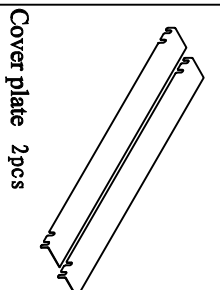
Door panel fixing bracket 1 2pcs



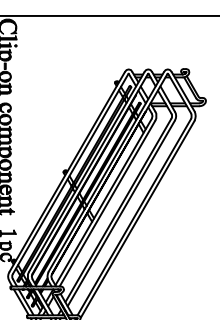
Door panel fixing bracket 2 2pcs



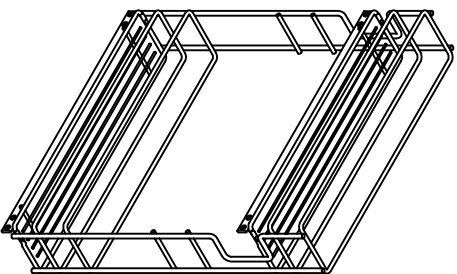
Door panel connector 2pcs



Cover plate 2pcs

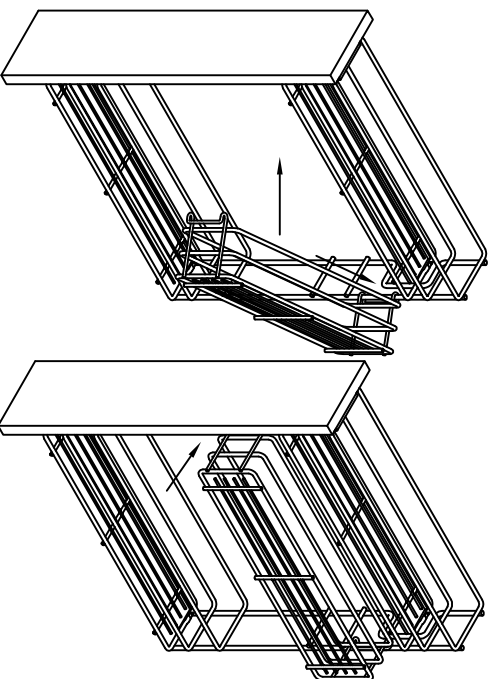


Clip-on component 1pc



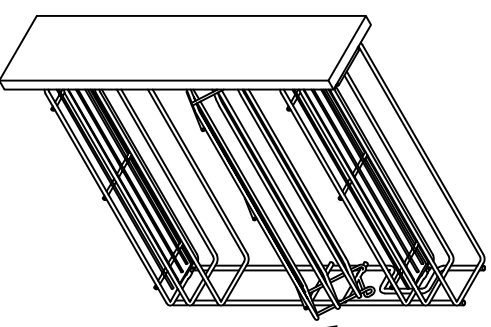
1

As drawing, fixing the clip on component and cover plate on the frame; Connecting the clip on soft closing full extension slide to the frame; and then assemble the door panel fixing bracket 1 and door panel fixing bracket 2 to the wire basket.



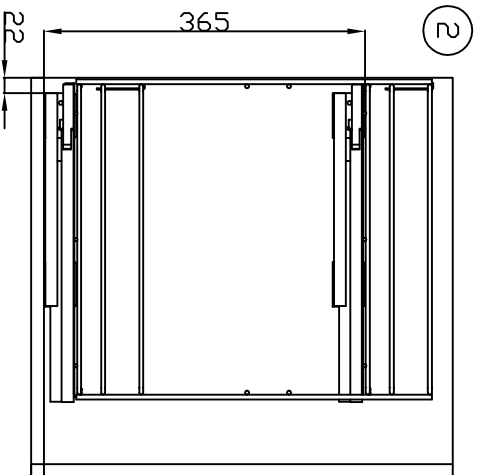
4

Take out the basket after installation of front door panel, and put the movable basket into big basket as drawing, then push front part of basket touch tightly with the slide, when bottom of the slide is about 3cm to front part of slide, make sure the basket is parallel with the slide, and then push in with some force to make sure the clip at the bottom of basket fix with front plastic part of slide, then installation finished.



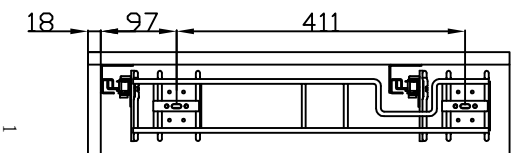
3

As drawing, please assemble the door panel fixing brackets to the cabinet door in size showed in the drawing. Make sure to fix the door panel connector with with 4pcs ST4*16 screws in sloped hole in order to adjust the cabinet door from left to right. Then connecting the cabinet door is in the right place. If it's right, fastening the cabinet door with 2pcs M5*15 cross screws, and then adjusting vertically of the cabinet door with 8pcs M5*15 cross screws more, finally fastening installation of the door with extra M5*15 screws.

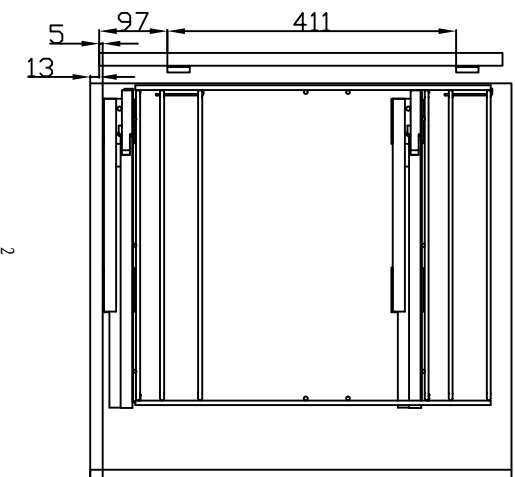


2

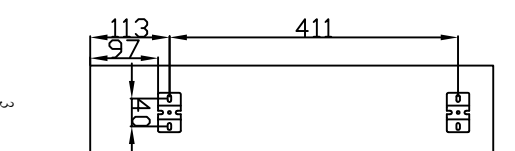
As drawing, please assemble the slides to the bottom panel of cabinet with the size showed in the drawing, pay attention to the parallelism when assembling them.



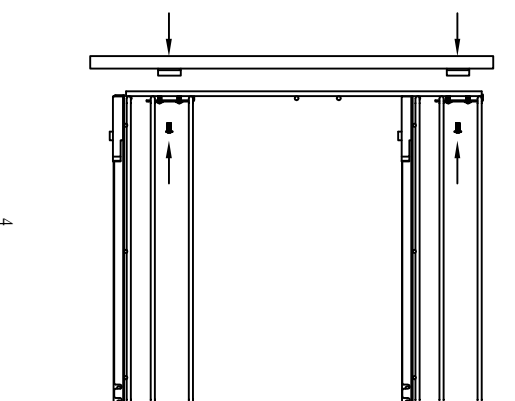
1



2



3



4